

SONY



FCB-EH6500



FCB-EH6300



FCB-EH3410



FCB-EH3310



FCB-EH3150



FCB-EH Series

HD Colour Block Cameras

FCB-EH6500
FCB-EH6300
FCB-EH3410
FCB-EH3310
FCB-EH3150

FCB-EH6500

FCB-EH6300

FCB-EH3410

FCB-EH3310

FCB-EH3150



Sony, a leader in high-definition (HD) technology, is enhancing its FCB-EH Block Camera Series with the addition of the new FCB-EH6500.

In response to growing demand for the high-quality, high-resolution images that only HD can deliver, the FCB-EH Series now offers a range of 12x to 30x optical zoom lenses with outstanding features for surveillance, intelligent traffic, unmanned vehicles, photo booths, police vehicles, low vision, and videoconferencing applications.

The flagship camera is the FCB-EH6500 which incorporates a 1/2.8-type Exmor™ CMOS image sensor with Full HD (1920 x 1080) resolution, and achieves excellent zooming performance with a 30x optical zoom lens. One other camera in the series, the FCB-EH6300, is equipped with the same image sensor to deliver Full HD resolution with 20x optical zoom capability. The remaining cameras in this series all incorporate a 1/4-type Exmor CMOS image sensor with HD (1280 x 720) resolution. The FCB-EH3310 and FCB-EH3410 models deliver a high quality HD image with great sharpness, which makes them ideal for security applications. And the smallest camera in the FCB-EH Series is the affordable FCB-EH3150. Along with its HD resolution sensor, it features a 12x optical zoom lens. All of these cameras inherit a multitude of features from Sony's world-renowned FCB Series such as Wide-D*, Auto ICR, and Spherical Privacy Zone Masking. With this breadth of choice, it has never been easier to select the right camera from Sony for your specific imaging applications.

* Wide dynamic range

Features

Excellent high-definition (HD) picture quality

The Exmor CMOS sensor realizes high image quality and high sensitivity

Powerful zoom capability

Bright, fast, and robust 30x zoom lens

The FCB-EH6500 incorporates a new 30x bright zoom lens with F1.6. This lens has a fast-zooming capability (approx. 3.2 seconds from tele end to wide end) and high durability.

Various output modes

- **HD (High Definition)**
 - Analog: Component (Y/Pb/Pr)
 - Digital: Y/Cb/Cr 4:2:2 via LVDS (Y: 8-bit, C: 8-bit, V-sync, H-sync, Field, and Clock)
- **SD (Standard Definition)**
 - VBS

Simple connection - one cable, one connector

- Covering video, VISCA communication, and power supply with a single cable
- Supports both 30-pin micro coaxial (digital and analog output) and 24-pin FFC (analog output only)*1 interfaces

Image Stabilization*2

The FCB-EH6500 and FCB-EH3410 are equipped with an Image-stabilization function which minimizes the phenomenon of shaky images caused by low-frequency vibration. This function is useful for outdoor surveillance and traffic monitoring applications.

StableZoom™

StableZoom mode uses a predetermined optical zoom ratio to enable the Image-stabilization function of the camera. Once stabilization begins, it gradually combines the optical and digital zoom to absorb shaky movements. In StableZoom mode, this function starts naturally without bringing an abrupt change to the horizontal angle of view.

Video mode changes on the fly

Without any power cycle, this function makes it possible to change video mode remotely, for example, from 1080p/29.97 to 720p/59.94 mode. This function enables the user to change camera video resolution through the software power reset function..

Security-oriented functions include:

- Wide-D technology (On/Off/Auto/Ratio fix)
- Day/Night function (On/Off/Auto/Threshold enabled)
- Digital noise reduction (up to five levels)
- Spherical Privacy Zone Masking (24 zones with various PTZ controls)
- Motion detection alarm (four zones with several triggering and threshold modes)

Other Features

Various modes for White Balance

(Auto, ATW, Indoor, Outdoor, Outdoor Auto, Sodium Vapor Lamp Fix/Auto, One-push, Manual)

Picture effects

(E-Flip, Nega Art, Black & White, Mirror Image, Color Enhancement)

Picture freeze

Temperature readout

Slow AE response (approx. five minutes)

Title display (20 characters per line, max. 11 lines)

Camera mode display (English)

Electronic shutter/slow shutter

Spot AE

High Resolution mode

IR Focus Correction function

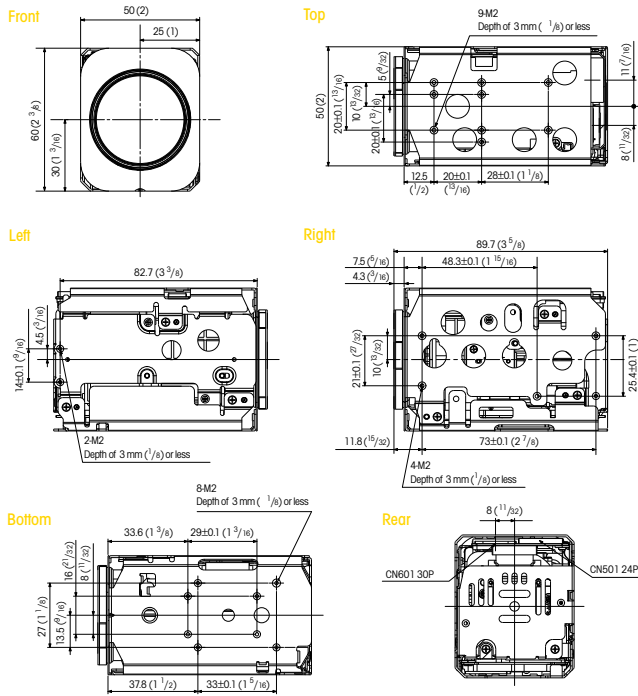
Four presets for gamma control

Four levels of chrominance suppression

*1 The FCB-EH3150 does not have a 24-pin FFC.

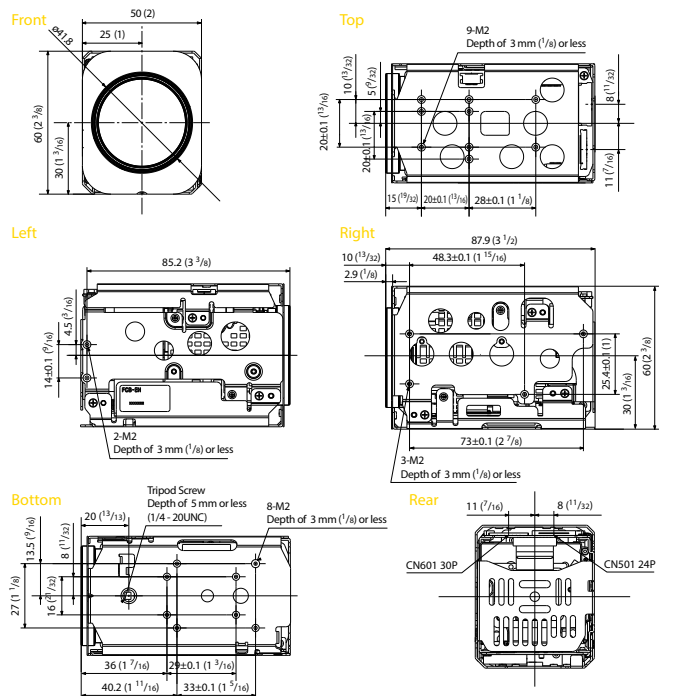
*2 When image stabilization is activated, residual movement may appear at the top and bottom of the image.

FCB-EH6500



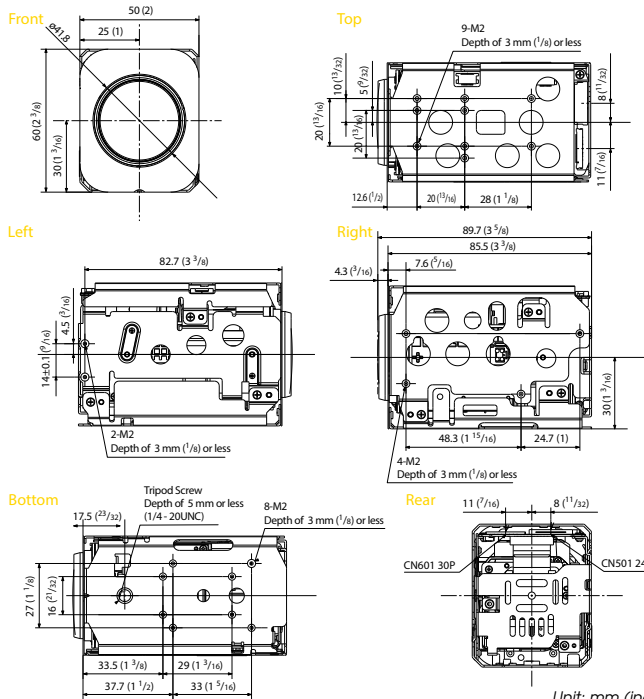
Unit: mm (inches)

FCB-EH6300



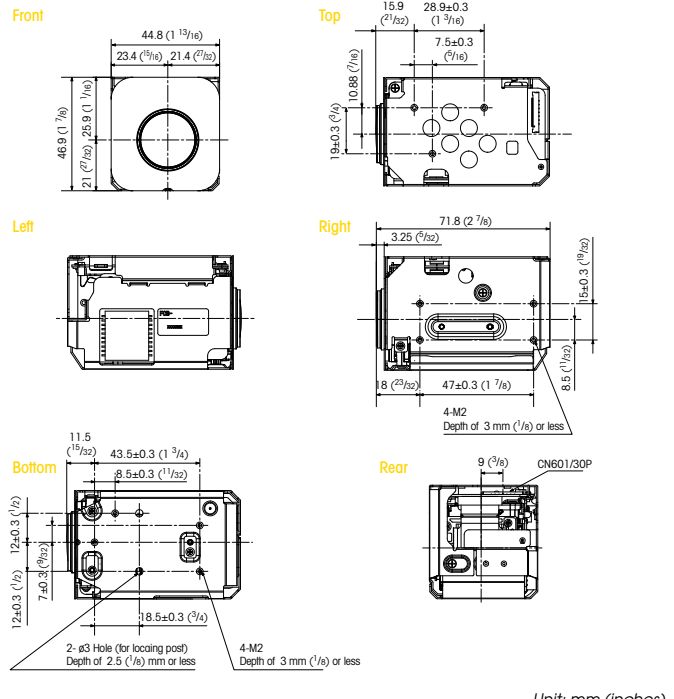
Unit: mm (inches)

FCB-EH3410/FCB-EH3310



Unit: mm (inches)

FCB-EH3150



Unit: mm (inches)

	FCB-EH6500	FCB-EH6300	FCB-EH3410	FCB-EH3310	FCB-EH3150
Imager sensor	1/2.8-type			1/4-type	
Lens	30x	20x	28x	20x	12x
Picture Quality	Full HD 1080p (1920 x 1080)			HD 720p (1280 x 720)	
Minimum illumination*	0.5 lx (F1.6, 50%)		0.25 lx (F1.35, 50%)		0.3 lx (F1.6, 50%)
Digital zoom	12x (360x with optical zoom)	12x (240x with optical zoom)	12x (336x with optical zoom)	12x (240x with optical zoom)	12x (144x with optical zoom)
Wide-D (Wide dynamic range)	●	●	●	●	●
Image stabilization	●	●	●	●	●
StableZoom	●	●	●	●	●
Auto ICR (Auto IR-cut Filter Removal)	●	●	●	●	●
Spherical privacy zone masking	●	●	●	●	●
Noise reduction	●	●	●	●	●
Slow AE response	●	●	●	●	●

* High sensitivity mode, ICR off.

FCB-EH Series Specifications

Camera

		FCB-EH6500	FCB-EH6300	FCB-EH3410	FCB-EH3310	FCB-EH3150	
Image sensor	Type	1/2.8-type Exmor CMOS			1/4-type Exmor CMOS		
	Number of effective pixels	Approx. 3.27 Megapixels			Approx. 1.43 Megapixels		
Image size (H x V)		1920 x 1080, 1280 x 720, 720 x 480, 720 x 576			1280 x 720, 720 x 480, 720 x 576		
Lens	30x optical zoom	f=4.6 mm (wide) to 138.0 mm (tele)	f=4.7 mm (wide) to 94.0 mm (tele)	f=3.5 mm (wide) to 98.0 mm (tele)	f=3.5 mm (wide) to 70.0 mm (tele)	f=3.7 mm (wide) to 44.4 mm (tele)	
		F1.6 to F4.7	F1.6 to F3.5	F1.35 to F3.7	F1.35 to F3.4	F1.6 to F2.5	
Digital zoom		12x (360x with optical zoom)	12x (240x with optical zoom)	12x (336x with optical zoom)	12x (240x with optical zoom)	12x (144x with optical zoom)	
Angle of view (H)	1080p mode	59.5° (wide end) to 2.1° (tele end)	55.4° (wide end) to 2.9° (tele end)	-			
	720p mode	40.6° (wide end) to 1.4° (tele end)	37.6° (wide end) to 2.0° (tele end)	55.9° (wide end) to 2.1° (tele end)	55.9° (wide end) to 2.9° (tele end)	53.4° (wide end) to 4.6° (tele end)	
Minimum object distance		10 mm (wide end) to 1,200 mm (tele end) (Default: 300 mm)	10 mm (wide end) to 1,000 mm (tele end) (Default: 300 mm)	10 mm (wide end) to 1,500 mm (tele end) (Default: 300 mm)		10 mm (wide end) to 1,000 mm (tele end) (Default: 300 mm)	
Sync system		Internal					
Minimum illumination (50%)	High sensitivity mode	0.5 lx (F1.6, ICR off) 0.095 lx (F1.6, ICR on)		0.25 lx (F1.35, ICR off) 0.03 lx (F1.35, ICR on)		0.3 lx (F1.6, ICR off) 0.06 lx (F1.6, ICR on)	
	Normal mode	1.7 lx (F1.6, ICR off) 0.3 lx (F1.6, ICR on)		1.0 lx (F1.35, ICR off) 0.1 lx (F1.35, ICR on)		1.2 lx (F1.6, ICR off) 0.3 lx (F1.6, ICR on)	
Recommended illumination		100 lx to 100,000 lx					
S/N ratio		More than 50 dB					
Signal system	HD	1080p/30, 1080p/29.97, 1080p/25, 1080i/60 (30 PsF), 1080i/59.94 (29.97 PsF), 1080i/50 (25 PsF), 720p/60, 720p/59.94, 720p/50, 720p/30, 720p/29.97, 720p/25	1080p/29.97, 1080p/25, 1080i/59.94 (Frame out: 29.97 PsF), 1080i/50 (Frame out: 25 PsF), 720p/59.94, 720p/50, 720p/29.97, 720p/25	720p/59.94, 720p/50, 720p/29.97, 720p/25			
	SD	NTSC, PAL					
Video output	HD	Analog: Component (Y/Pb/Pr), Digital: Y/Cb/Cr 4:2:2 via LVDS, (Signal format conforms to SMPTE274/SMPTE296.)					
	SD	VBS					
Camera control interface		VISCA (CMOS 5 V level), Baud rate: 9.6 Kbps, 19.2 Kbps, 38.4 Kbps, Stop bit: 1 bit					
Electronic shutter speed		1/1 to 1/10,000 s, total 22 steps					
White balance		Auto, ATW, Indoor, Outdoor, Outdoor Auto, Sodium Vapor Lamp (Fix/Auto), One-push, Manual					
Gain		Auto/Manual (-3 dB to +28 dB, +2 dB step/total 16 steps), Max. Gain limit (+6 dB to +28 dB, +2 dB step/total 12 steps)					
AE control		Auto, Manual, Priority mode (shutter priority & iris priority), Bright, EV compensation, Slow AE					
Focusing system		Auto (Sensitivity: normal, low), One-push AF, Manual, Infinity, Interval AF, Zoom Trigger AF, Focus compensation in ICR on					
EV compensation		No					
Backlight compensation		Yes					
Aperture control		16 steps					
Preset		6 positions					
Wide-D*		Yes (On/Off/Auto)**			Yes (On/Off/Auto)		
Image stabilization		Yes	No	Yes	No		
StableZoom		Yes	No	Yes (33x)	No		
Digital output		Yes					
Auto ICR		Yes					
Spherical privacy zone masking		Yes					
Noise reduction		Yes (On/Off) (Level 5 to 1/Off total 6 steps)					
Motion detection		Yes					
Alarm		Yes					
Slow AE response		Yes (Approx. 5 minutes)					
Picture effects		Yes (E-Flip, Nega Art, Black & White, Mirror image, Color enhancement)					
Picture freeze		Yes					
Slow shutter		Yes					
Temperature readout		Yes					
Title display		Yes (20 characters/line, max. 11 lines)					
Camera mode display		Yes					
Key switch control		No					
Camera operation switch		No					
Storage temperature		-20°C to +60°C (-4°F to 140 °F)					
Storage humidity		20% to 95%					
Operating temperature		-5°C to +60°C (23°F to 140°F)					
Operating humidity		20% to 80%					
Power requirements		6.0 V to 12.0 V DC					
Power consumption		3.3 W (zoom/focus inactive) / 3.8 W (zoom/focus active)	3.2 W (zoom/focus inactive) / 3.8 W (zoom/focus active)	2.7 W (zoom/focus inactive) / 3.4 W (zoom/focus active)			
Mass		Approx. 265 g (9.3 oz)	Approx. 260 g (9.2 oz)	Approx. 240 g (8.5 oz)		Approx. 150 g (0.0 oz)	
Dimensions (W x H x D)		50.0 x 60.0 x 89.7 mm (2 x 2 3/8 x 3 5/8 inches)	50.0 x 60.0 x 87.9 mm (2 x 2 3/8 x 3 1/2 inches)	50.0 x 60.0 x 89.7 mm (2 x 2 3/8 x 3 5/8 inches)		44.8 x 46.9 x 71.8 mm (1 13/16 x 1 7/8 x 7/8 inches)	

* Wide dynamic range. ** Half frame rate when Wide-D is On.

Camera features

General

Pin assignment & connector

CN601

30-pin Thin Coaxial
(for power supply/communication/video out (analog/digital))

Pin No.	Name	Level
1	TXOUT3+	
2	TXOUT3-	
3	TXCLKOUT+	
4	TXCLKOUT-	
5	TXOUT2+	
6	TXOUT2-	
7	TXOUT1+	
8	TXOUT1-	
9	TXOUT0+	
10	TXOUT0-	
11	GND	
12	TxD	CMOS 5 V (Low: Max. 0.1 V, High: Min. 4.4 V)
13	RxD	CMOS 5 V (Low: Max. 0.8 V, High: Min. 2.0 V)
14	DC IN	6 to 12 V DC
15	DC IN	6 to 12 V DC
16	DC IN	6 to 12 V DC
17	DC IN	6 to 12 V DC
18	DC IN	6 to 12 V DC
19	GND	
20	GND	
21	GND	
22	GND	
23	GND	
24	GND	
25	NC	
26	RESET IN	RESET: Low (GND) Normal: Open (1.8 V)
27	VBS OUT	
28	Y OUT	HD Analog Component
29	Pb OUT	HD Analog Component
30	Pr OUT	HD Analog Component

Connector: USL00-30L-C (KEL CORP.)

CN501*

24-pin FFC
(for power supply/communication/video out (analog))

Pin No.	Name	Level
1	GND	
2	TxD	CMOS 5 V (Low: Max. 0.1 V, High: Min. 4.4 V)
3	RxD	CMOS 5 V (Low: Max. 0.8 V, High: Min. 2.0 V)
4	RESET IN	RESET: Low (GND) Normal: Open (1.8 V)
5	GND	
6	NC	
7	GND	
8	NC	
9	GND	
10	VBS OUT	
11	GND	
12	Y OUT	HD Analog Component
13	GND	
14	Pb OUT	HD Analog Component
15	GND	
16	Pr OUT	HD Analog Component
17	GND	
18	DC IN	6 to 12 V DC
19	DC IN	6 to 12 V DC
20	DC IN	6 to 12 V DC
21	DC IN	6 to 12 V DC
22	GND	
23	DC IN	6 to 12 V DC
24	GND	

Connector: 046240024006800+ (Kyocera Elco)
* The FCB-EH3150 does not have a 24-pin FFC.

Distributed by

©2012 Sony Corporation. All rights reserved. Reproduction in whole or in part without written permission is prohibited. Features and specifications are subject to change without notice. The values for weight and dimension are approximate. "SONY", "make.believe" and "ExView HAD CCD II" are registered trademarks of Sony Corporation. All other trademarks are the property of their respective owners.

PHC_27/02/2014

SONY